

INPHENIX

Super-Luminescent Light Emitting Diode Device

IPSDD1301 (1310nm)

Features

- Wide Optical Bandwidth
- Very Low Spectral Ripple
- Output Power in SM Fiber and PM Fiber

Applications

- Chromatic Mode Dispersion Measurement
- Broadband Light Source for Insertion Loss Test
- Biomedical Imaging Device
- Clinical Healing Equipment



Device Specifications

| Parameter | Symbol | Min. | Typ. | Max. | Unit |
|--|------------------------|------|------|------|------|
| Central Wavelength | λ_c | 1280 | 1310 | 1360 | nm |
| 3dB Bandwidth | $\Delta\lambda_{3dB}$ | 40 | 45 | - | nm |
| Output Power in SM Fiber | P_o | 0.5 | 1 | - | mW |
| Spectral Modulation Depth _{p-p} | Δ | - | 0.1 | 0.2 | dB |
| Operating Current | I_F | - | 120 | 150 | mA |
| Back Facet Monitor | Available upon request | | | | |

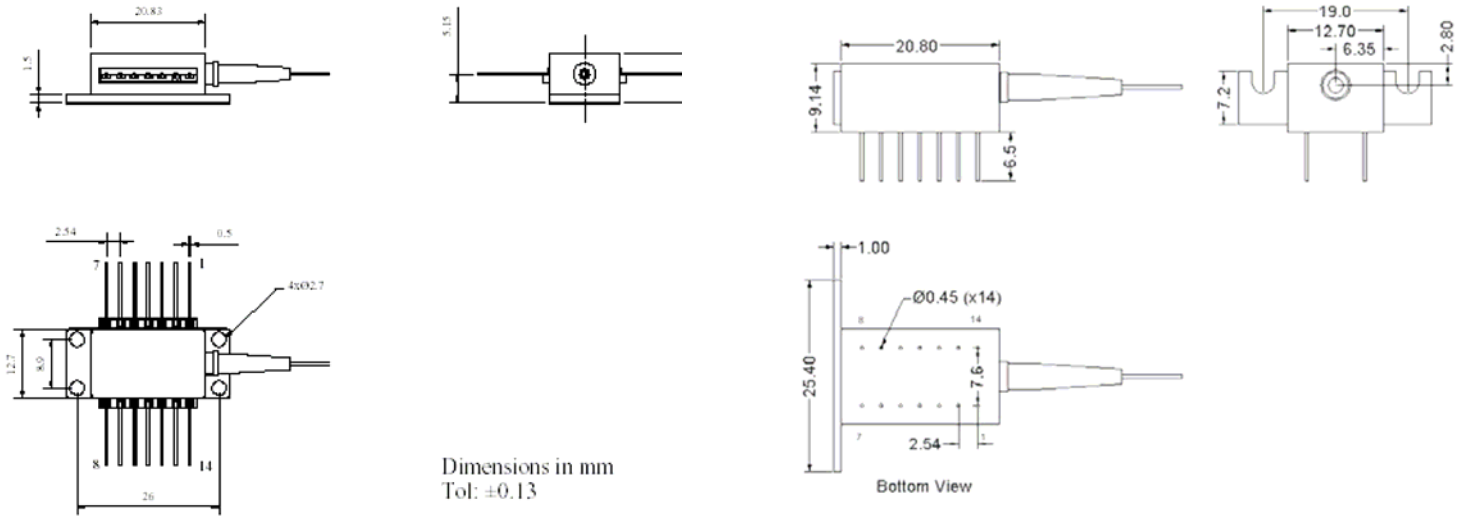
Absolute Maximum Ratings

| Parameter | Min. | Max. | Unit |
|------------------------------|--|------|------|
| Operating Temperature | - 20 | 70 | °C |
| Storage Temperature | - 40 | 85 | °C |
| TEC Drive Current | - | 1.5 | A |
| TEC Drive Voltage | - | 3.6 | V |
| Maximum Current | 300 | | mA |
| Thermistor Resistance | 10k Ω @ 25°C | | |
| SLD Chip Temperature Setting | 25°C | | |
| Fiber Type | SMF/PMF/MMF | | |
| Fiber Jacket | 250 μ m tight buffer with 900 μ m loose tube | | |
| Package | 14-pin DIL/14-pin BUT/8-pin BUT | | |
| Lead Solder Temperature | 260°C for 10 Seconds | | |

All information contained herein is believed to be accurate and is subject to change without notification. No responsibility is assumed. Please contact InPhenix for more information. InPhenix and the InPhenix logo are trademarks of InPhenix Inc. All rights are reserved.

INPHENIX

Package Dimensions



14-Pin BUT Package

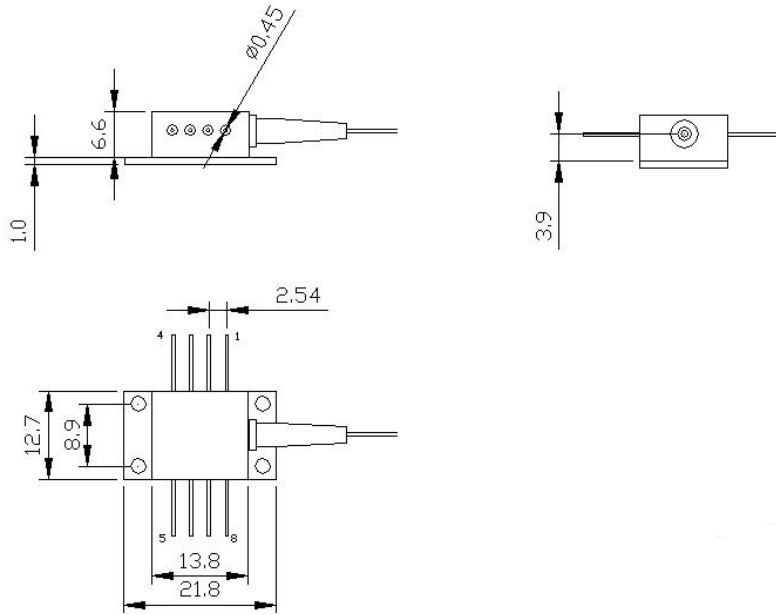
14-Pin DIL Package

Pin Definition

| 14-pin BUT package | | | | 14-pin DIL package | | | |
|--------------------|------------|-----|----------|--------------------|----------|-----|------------|
| Pin | Function | Pin | Function | Pin | Function | Pin | Function |
| 1 | TEC (+) | 8 | NC | 1 | TEC (+) | 8 | NC |
| 2 | Thermistor | 9 | NC | 2 | NC | 9 | SLD (-) |
| 3 | NC | 10 | SLD (+) | 3 | NC | 10 | Case |
| 4 | NC | 11 | SLD (-) | 4 | NC | 11 | Thermistor |
| 5 | Thermistor | 12 | NC | 5 | SLD (+) | 12 | Thermistor |
| 6 | NC | 13 | Case | 6 | NC | 13 | NC |
| 7 | NC | 14 | TEC (-) | 7 | NC | 14 | TEC (-) |

- If the SLD is ordered with a Back Facet Monitor, Pin 7 is PD-Cathode and Pin 8 is PD+Anode

INPHENIX



8-Pin BUT Package

Pin Definition

| 8-pin BUT package | |
|-------------------|------------|
| Pin | Function |
| 1 | TEC (+) |
| 2 | NC |
| 3 | NC |
| 4 | SLED (+) |
| 5 | SLED (-) |
| 6 | Thermistor |
| 7 | Thermistor |
| 8 | TEC (-) |

INPHENIX

Part Numbering System



Model:

IPSDDXXXX: SLD Device

Package:

- 1: 14-pin DIL
- 2: 8-pin Butterfly
- 3: 14-pin Butterfly

Fiber Type:

- 1: SM Fiber
- 2: PM Fiber
- 3: MM Fiber

Jacket Type:

- 1: 900 μ m
- 2: 250 μ m tight buffer

Connector Type:

- 0: No Connector
- 3: FC/APC
- 4: FC/UPC
- 7: SC/APC
- 8: SC/UPC

Back Facet Monitor:

Available upon request

Example: IPSDD0805-1224: 850nm SLD in 14-pin DIL with 250 μ m tight buffered PM Fiber with FC/UPC connectors

Corporate Office

250 North Mines Rd
Livermore, CA 94551
Tel: 925.606.8809
Fax: 925.606.8810
www.inphenix.com
sales@inphenix.com